

XNB-8000

5M Network Camera



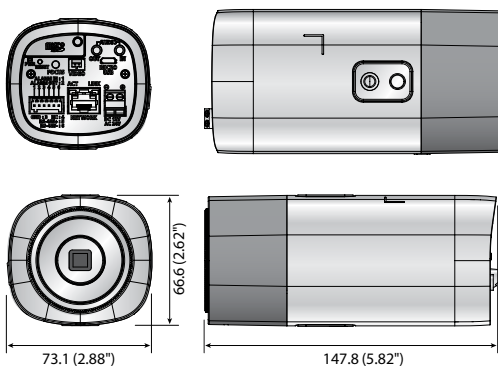
* Lens not included

Key Features

- Max. 5 megapixel (2560 x 1920) resolution
- 0.09Lux@F1.2 (Color), 0.009Lux@F1.2 (B/W)
- Max. 30fps@all resolutions (H.265/H.264)
- H.265, H.264, MJPEG codec supported, Multiple streaming
- Day & Night (ICR), WDR (120dB), P-Iris, Defog
- Digital image stabilization with built-in Gyro sensor
- Loitering, Directional detection, Fog detection, Audio detection, Digital auto tracking, Sound classification, Tampering
- Motion detection, Handover
- SD/SDHC/SDXC memory slot (Max. 512GB)
- Hallway view, WiseStream II support
- LDC support (Lens Distortion Correction)
- PoE / 24V AC, 12V DC, Bi-directional audio support

Dimensions

Unit : mm (inch)



Accessories (Optional)



XNB-8000	
VIDEO	
Imaging Device	1/1.8" 6M CMOS
Total Pixels	3,096(H) x 2,094(V)
Effective Pixels	2,616(H) x 1,976(V)
Scanning System	Progressive Scan
Min. Illumination	Color : 0.09Lux (F1.2, 1/30sec), B/W : 0.009Lux (F1.2, 1/30sec)
S / N Ratio	50dB
Video Out	CVBS : 1.0Vpp / 75Ω composite, 720 x 480(N), 720 x 576(P), for installation USB : micro USB type B, 1280 x 720 for installation
LENS	
Focus Control	Simple focus / Manual, Remote control via network, Button control (Manual, Simple focus)
Lens Type	Manual / DC auto iris, P-Iris
Mount Type	C / CS
OPERATIONAL	
Camera Title	Off / On (Displayed up to 85 characters) - W/W : English / Numeric / Special characters - China : English / Numeric / Special / Chinese characters - Common : Multi-line (Max. 5), Color (Grey / Green / Red / Blue / Black / White), Transparency, Auto scale by resolution
Day & Night	Auto (ICR) / Color / B/W / External / Schedule
Backlight Compensation	Off / BLC / HLC (Masking / Dimming), WDR
Wide Dynamic Range	120dB
Contrast Enhancement	SSDR (Off / On)
Digital Noise Reduction	SSNRV (2D+3D noise filter) (Off / On)
Digital Image Stabilization	Off / On (Built-in Gyro sensor)
Defog	Off / Auto (Input from fog detection) / Manual
Motion Detection	Off / On (8ea, 8point polygonal zones), Handover
Privacy Masking	Off / On (32ea, Polygonal) - Color : Grey / Green / Red / Blue / Black / White, Mosaic
Gain Control	Off / Low / Middle / High / Manual
White Balance	ATW / AWC / Manual / Indoor / Outdoor (Included mercury & Sodium)
Contrast	Level adjustment
LDC (Lens Distortion Correction)	Off / On (5 levels with min / max)
Electronic Shutter Speed	Minimum / Maximum / Anti flicker (2 ~ 1/12,000sec)
Digital PTZ	24x, Digital PTZ (Preset, Group)
Flip / Mirror	Off / On, Hallway view : 90°/270°
Video & Audio Analytics	Tampering, Loitering, Directional detection, Defocus detection, Fog detection, Virtual line, Enter / Exit, (Dis)Appear, Audio detection, Face detection, Motion detection, Digital auto tracking, Sound classification
Alarm I/O	Input 1ea / Output 1ea
Remote Control Interface	RS-485
RS-485 Protocol	Samsung-T/E, Pelco-P/D, Sungjin, Panasonic, Honeywell, AD, Vicon, GE, Bosch
Alarm Triggers	Alarm input, Motion detection, Video & Audio analytics, Network disconnect
Alarm Events	File upload via FTP, E-mail, Notification via E-mail, Local storage (SD/SDHC/SDXC) or NAS recording at event triggers, External output, DPTZ preset
Pixel Counter	Support
NETWORK	
Ethernet	RJ-45 (10/100BASE-T)
Video Compression Format	H.265 / H.264 (MPEG-4 part 10/AVC) : Main / Baseline / High, MJPEG 2560 x 1920, 2560 x 1440, 1920 x 1080, 1600 x 1200, 1280 x 1024, 1280 x 960, 1280 x 720, 1024 x 768, 800 x 600, 800 x 448, 720 x 576, 720 x 480, 640 x 480, 640 x 360, 320 x 240
Resolution	
Max. Framerate	H.265 / H.264 : Max. 30fps at all resolutions, MJPEG : Max. 30fps
Smart Codec	Manual mode (Area-based : 5ea)
WiseStream II	Support
Video Quality Adjustment	H.265 / H.264 : Target bitrate level control, MJPEG : Target bitrate level control
Bitrate Control Method	H.265 / H.264 : CBR or VBR, MJPEG : VBR
Streaming Capability	Multiple streaming (Up to 10 profiles)
Audio In	Selectable (Mic in / Line in), Max output level : 1Vrms Supply voltage : 2.5V DC (4mA), Input impedance : approx. 2K Ohm
Audio Out	Line out, Max output level : 1Vrms
Audio Compression Format	G.711 u-law/G.726 selectable, G.726 (ADPCM) 8KHz, G.711 8KHz G.726 : 16Kbps, 24Kbps, 32Kbps, 40Kbps, AAC-LC : 48Kbps at 8/16/32/48KHz
Audio Communication	Bi-directional (2-way)
IP	IPv4, IPv6
Protocol	TCP/IP, UDP/IP, RTP(UDP), RTP(TCP), RTCP, RTSP, NTP, HTTP, HTTPS, SSL/TLS, DHCP, PPPoE, FTP, SMTP, ICMP, IGMP, SNMPv1/v2c/v3(MIB-2), ARP, DNS, DDNS, QoS, PIM-SM, UPnP, Bonjour
Security	HTTPS(SSL) login authentication, Digest login authentication IP address filtering, User access log, 802.1X authentication (EAP-TLS, EAP-LEAP)
Streaming Method	Unicast / Multicast
Max. User Access	20 users at unicast mode
Edge Storage	SD/SDHC/SDXC 2slot (Up to 512GB) - Continuous recording (1st slot to 2nd slot) NAS (Network Attached Storage), Local PC for instant recording
Application Programming Interface	ONVIF profile S/G, SUNAPI (HTTP API), Wisenet Open Platform
Webpage Language	English, Korean, Chinese, French, Italian, Spanish, German, Japanese, Russian, Swedish, Portuguese, Czech, Polish, Turkish, Dutch, Hungarian, Greek
Web Viewer	Supported OS : Windows 7, 8.1, 10, Mac OS X 10.10, 10.11, 10.12 Non-plugin Webviewer - Supported Browser : Google Chrome 54, MS Edge 38, Mozilla Firefox 49 (Window 64bit only), Apple Safari 9 * Mac OS X only Plug-in Webviewer - Supported Browser : MS Explore 11, Apple Safari 9 * Mac OS X only
Central Management Software	SmartViewer, SSM
ENVIRONMENTAL	
Operating Temperature / Humidity	-10°C ~ +55°C (+14°F ~ +131°F) / Less than 90% RH
Storage Temperature / Humidity	-50°C ~ +60°C (-58°F ~ +140°F) / Less than 90% RH
ELECTRICAL	
Input Voltage / Current	24V AC ±10%, 12V DC ±10%, PoE (IEEE802.3af)
Power Consumption	Max. 7.5W (12VDC), Max. 8.5W (PoE), Max. 8.5W (24VAC)
MECHANICAL	
Color / Material	Black, Ivory / Plastic
Dimensions (WxH)	73.1 x 66.6 x 147.8mm (2.88" x 2.62" x 5.82")
Weight	420g (0.93lb)

* The latest product information / specification can be found at hanwha-security.com
* Design and specifications are subject to change without notice.