

LVF-8008C-PO413 P-iris lens

www.boschsecurity.com



BOSCH
Invented for life



- ▶ Ultra megapixel optical resolution
- ▶ P-iris for precise control and sharper images
- ▶ High-quality optics
- ▶ Reliable, robust construction

As cameras can now capture even higher picture resolutions through the use of megapixel sensor technology and advanced processing, the lenses also need to have an optical resolution that allows the camera to work at its optimal point.

The camera ensures that the iris opening is not too small so that un-sharp images caused by diffraction are avoided, but still maintains the required depth of field so that objects of interest remain in focus.

System overview

This P-iris lens allows the camera to determine the optimal operating parameters to achieve the best possible image while alleviating the problem of diffraction that often occurs with megapixel sensors. The lens has a standard CS mount for use with a variety of cameras. The mechanical construction is designed to withstand the environmental stress of surveillance installations and provides long and reliable operation with no maintenance.

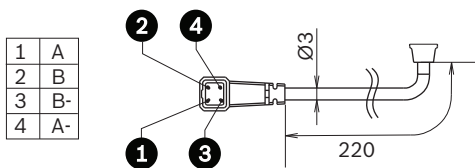
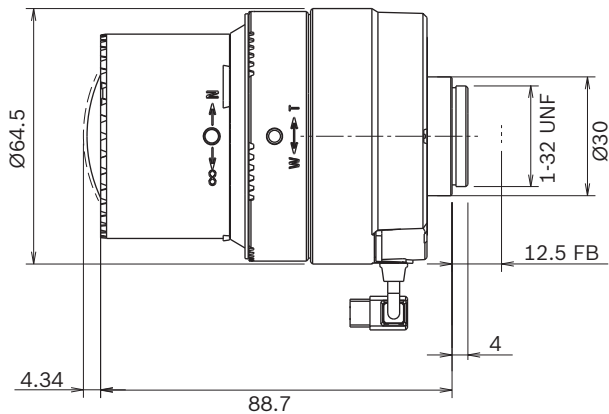
Functions

P-iris lenses have many advantages over standard DC-iris lenses and are most valuable in variable lighting conditions. They allow control of the iris to be passed completely to the camera. The firmware in cameras from Bosch is then able to intelligently control the iris opening. The stepper motor in a P-iris lens is very precise which means that the iris opening can be set exactly as required.

Certifications and approvals

Region	Certification
Europe	CE

Installation/configuration notes



Parts included

Quantity	Component
1	Unit

Technical specifications

Optical

Maximum sensor format	1/1.8-inch
Focal range	4 – 13 mm
Iris range	F1.5 to close
Min. object distance	0.3 m (1 ft)
Back focus distance	15.24 mm (in air)
Iris control	P-iris stepping motor (120 steps)
Focus control	Rotational ring and locking screw
Zoom control	Rotational ring and locking screw
IR corrected	Yes

Angle of view with DINION IP ultra 8000 MP (HxV)

4K UHD mode (16:9)	Wide: 86x48°; Tele: 27x15°
12MP mode (4:3)	Wide: 90x67°; Tele: 29x21°

Angle of view with DINION IP starlight 8000 MP (HxV)

16:9 mode	Wide: 105x57°; Tele: 33x18.5°
4:3 mode	Wide: 94x70°; Tele: 30x22°

Mechanical

Weight	172 g (0.38 lb)
Dimensions	Ø 65 x 93 mm
Lens mount	CS-mount

Environmental

Operating Temperature	-10°C to +50°C (+14°F to +122°F)
Storage Temperature	-40°C to +60°C (-40°F to +140°F)
Operating Humidity	Up to 90% non-condensing

Ordering information

LVF-8008C-PO413 P-iris lens
 P-iris Megapixel varifocal lens
 Order number **LVF-8008C-PO413**

Represented by:

Europe, Middle East, Africa:
Bosch Security Systems B.V.
P.O. Box 80002
5600 JB Eindhoven, The Netherlands
Phone: + 31 40 2577 284
emea.securitysystems@bosch.com
emea.boschsecurity.com

Germany:
Bosch Sicherheitssysteme GmbH
Robert-Bosch-Ring 5
85630 Grasbrunn
Germany
www.boschsecurity.com

North America:
Bosch Security Systems, Inc.
130 Perinton Parkway
Fairport, New York, 14450, USA
Phone: +1 800 289 0096
Fax: +1 585 223 9180
onlinehelp@us.bosch.com
www.boschsecurity.us

Asia-Pacific:
Robert Bosch (SEA) Pte Ltd, Security Systems
11 Bishan Street 21
Singapore 573943
Phone: +65 6571 2808
Fax: +65 6571 2699
apr.securitysystems@bosch.com
www.boschsecurity.asia